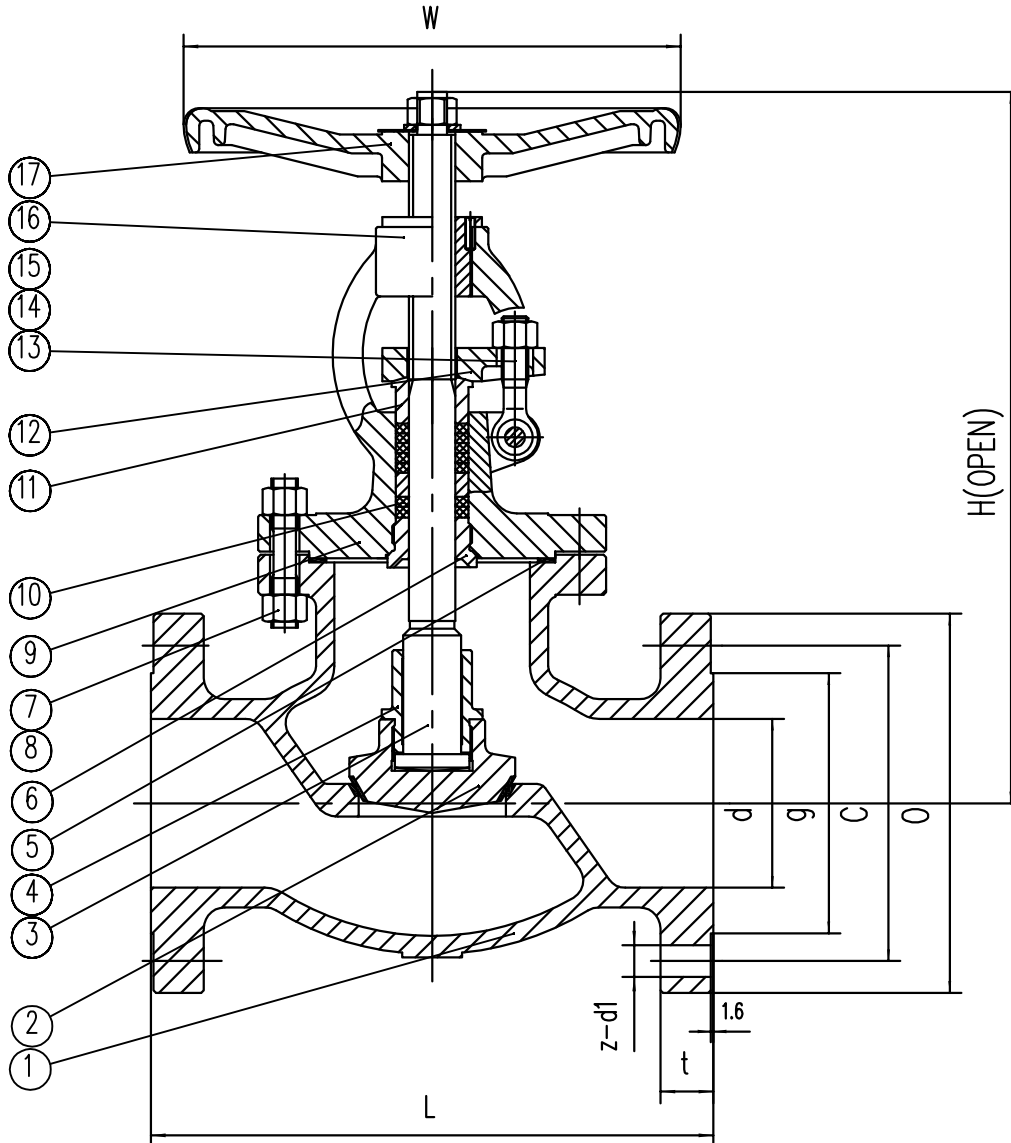


NPS		General dimension				Flange dimensions				
in	mm	d	L	H	W	O	C	g	t	z-d1
2	50	51	267	380	250	165	127	92	23	8-Ø19
3	80	76	318	450	300	210	168,5	127	29	8-Ø22
4	100	102	356	475	300	254	200	157	32	8-Ø22
6	150	152	444	586	400	318	270	216	37	12-Ø22
8	200	203	559	725	500	381	330	270	42	12-Ø25



No.	Parts name	Material
1	Body	A216 WCB+13Cr
2	Disc	A105+13Cr
3	Stem	A182 F6
4	Disc nut	A182 F6
5	Gasket	SS304 + graphite
6	Back seat	A182 F6
7	Bonnet bolt	A193 B7
8	Bonnet nut	A194 2H
9	Bonnet	A216 WCB
10	Stem packing	Graphite
11	Gland	A182 F6
12	Gland flange	A216 WCB
13	Pin	45
14	Gland nut	A194 2H
15	Gland eyebolt	A193 B7
16	Stem nut	ZCuAl10Fe3
17	Handwheel	Ductile iron

Face-to-face dimensions/Baulänge:	ANSI B16.10	Pressure-Temp/Pressure test	ANSI B16.34/API 598	Design by:	DZ	Checked by:	RS	Date:	09/08/17
Type:	Globe valve								
Class/Druckstufe:	Class 300	Size/Nennweite:	2"-8"						
Flanged ends dimensions/Flanschmaße:	ANSI B16.5			Rev:	0				

**kihsco**  
Valves Europe GmbH