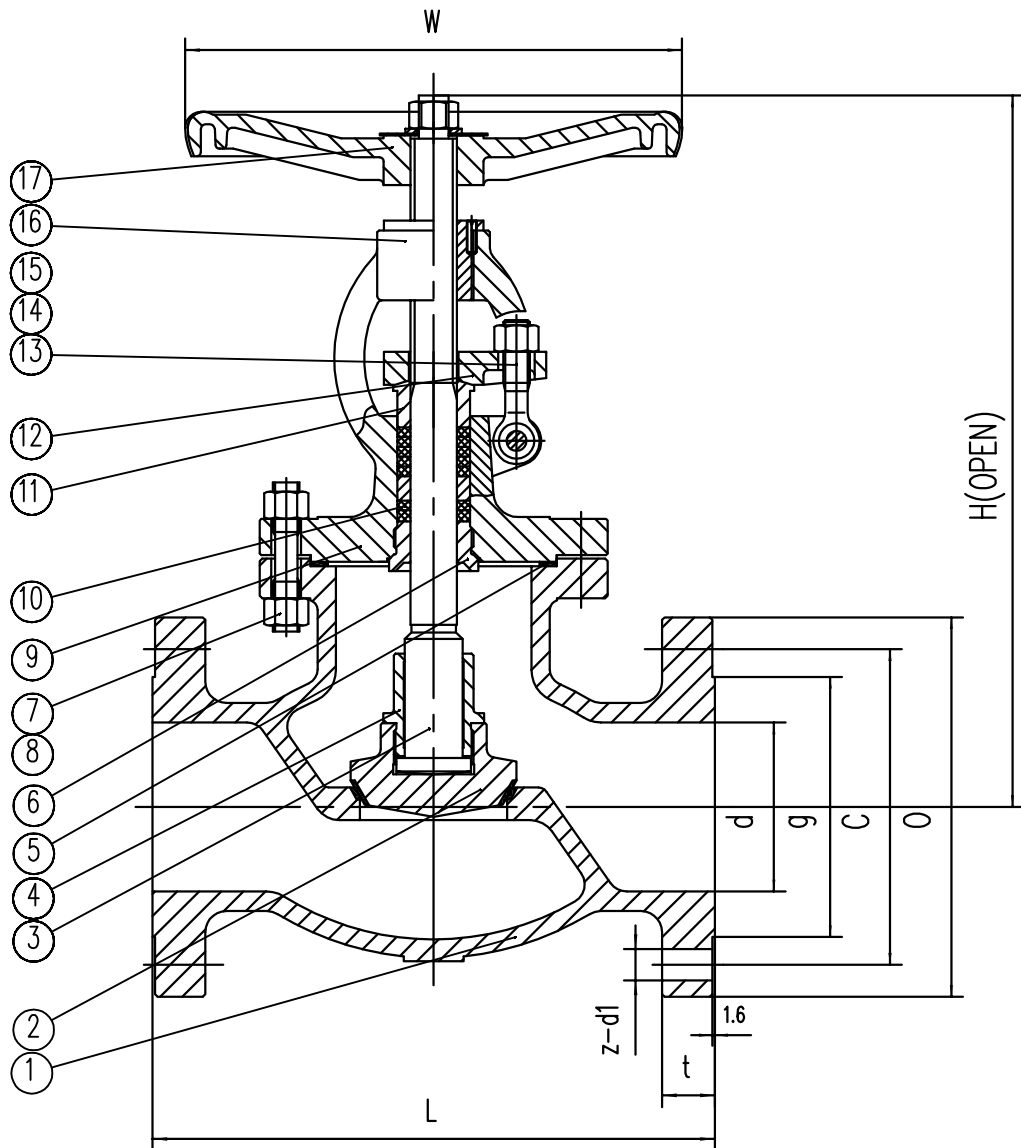


NPS		General dimension				Flange dimensions				
in	mm	d	L	H	W	O	C	g	t	z-d1
2	50	51	203	340	200	152	120,5	92	16	4-Ø19
2 1/2	65	64	216	365	200	178	139,5	105	18	4-Ø19
3	80	76	241	400	250	190	152,5	127	19	4-Ø19
4	100	102	292	470	300	229	190,5	157	24	8-Ø19
5	125	127	356	510	350	254	216	186	24	8-Ø22
6	150	152	406	540	400	279	241,5	216	26	8-Ø22
8	200	203	495	650	500	343	298,5	270	29	8-Ø22
10	250	254	622	860	450	406	362	324	31	12-Ø25



No.	Parts name	Material
1	Body	A216 WCB+13Cr
2	Disc	A105+13Cr
3	Stem	A182 F6
4	Disc nut	A182 F6
5	Gasket	SS304 + graphite
6	Back seat	A182 F6
7	Bonnet bolt	A193 B7
8	Bonnet nut	A194 2H
9	Bonnet	A216 WCB
10	Stem packing	Graphite
11	Gland	A182 F6
12	Gland flange	A216 WCB
13	Pin	45
14	Gland nut	A194 2H
15	Gland eyebolt	A193 B7
16	Stem nut	ZCuAl10Fe3
17	Handwheel	Ductile iron

Face-to-face dimensions/Baulänge: ANSI B16.10	Pressure-Temp/Pressure test ANSI B16.34/API 598	Design by: DZ	Checked by: RS	Date: 09/08/17
--	--	------------------	-------------------	-------------------

Type:  
Globe valve

Class/Druckstufe: Class 150	Size/Nennweite: 2"-10"
--------------------------------	---------------------------

Flanged ends dimensions/Flanschmaße:  
ANSI B16.5

Rev:  
0

**kihsco**  
Valves Europe GmbH